

# SCF-151.8CA

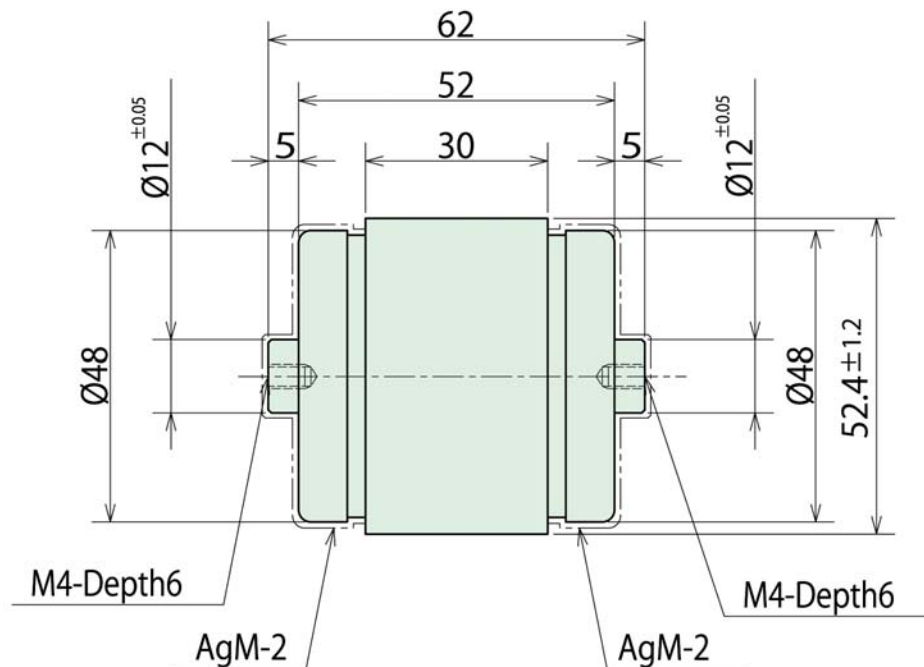
Fixed Type Vacuum Capacitor (FC52A Type)

## Specification

Peak Test Voltage	15kV,peak (at 50,60 Hz/ 1 minute)
RF Working Voltage	9 kV,peak (at 13.56 MHz)
Capacitance	180 pF
Maximum Current	80 A,rms (at 13.56 MHz)
Total Length	62 mm
Outer Diameter	φ52.4 mm
Mounting Length	62 mm
Weight	0.5 kg

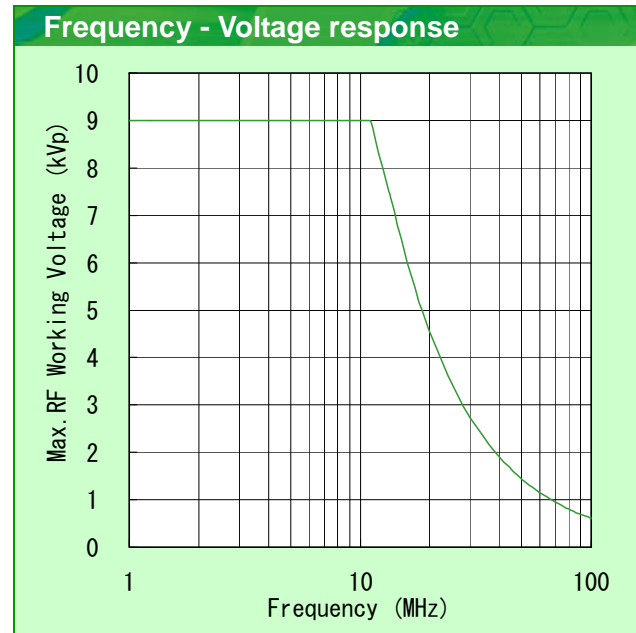
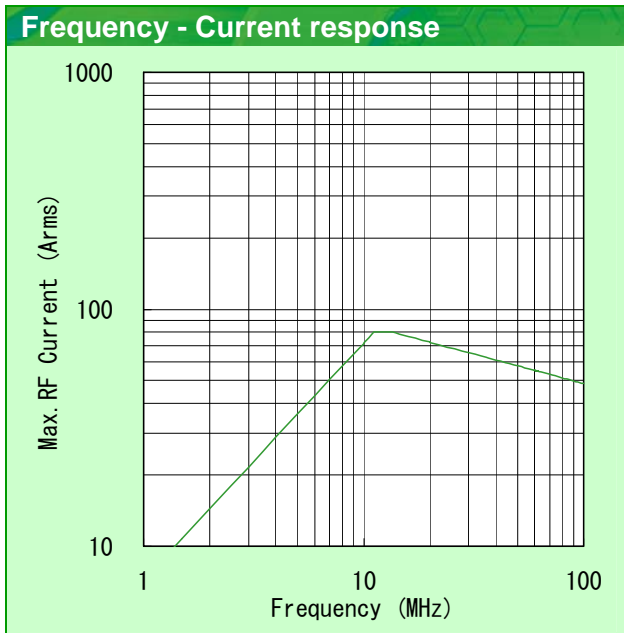


## Drawing



# SCF-151.8CA

Fixed Type Vacuum Capacitor (FC52A Type)



**Notice:**

- Current collecting system: Capacitor both-end full-face collection.
- Cooling System: Convection.
- Permissible surface temperature: 125°C.  
(The surface temperature changes with current collecting conditions and ambient temperature.)
- Ambient temperature: 25°C.