

SCV-151H65

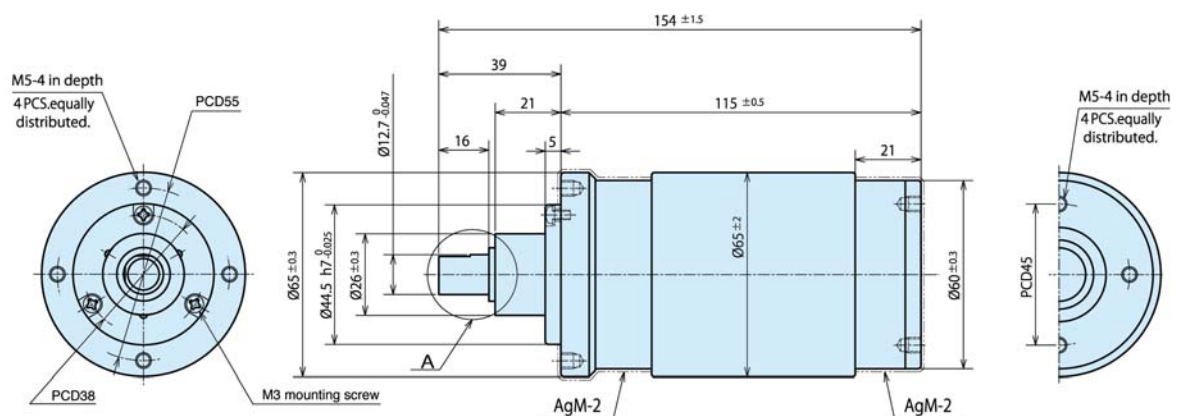
Variable Type Vacuum Capacitor (VH65 Type)

Specification

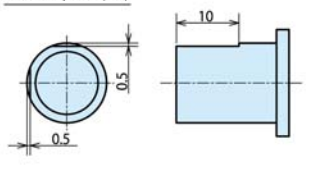
Peak Test Voltage	15 kV, peak (at 50,60 Hz/ 1 minute)
RF Working Voltage	9 kV, peak (at 13.56 MHz)
Capacitance nominal	10 – 100 pF
Linear Variability	7.5±0.4 pF/Turn ($C \geq 20$ pF)
Maximum Current	54 A, rms (at 13.56 MHz)
Tuner Turns	14±0.5 Turns
Tuner Operating Torque	18 N·cm
Total Length	154 mm
Mounting Length	115 mm
Outer Diameter	φ65 mm
Weight	1.2 kg



Drawing

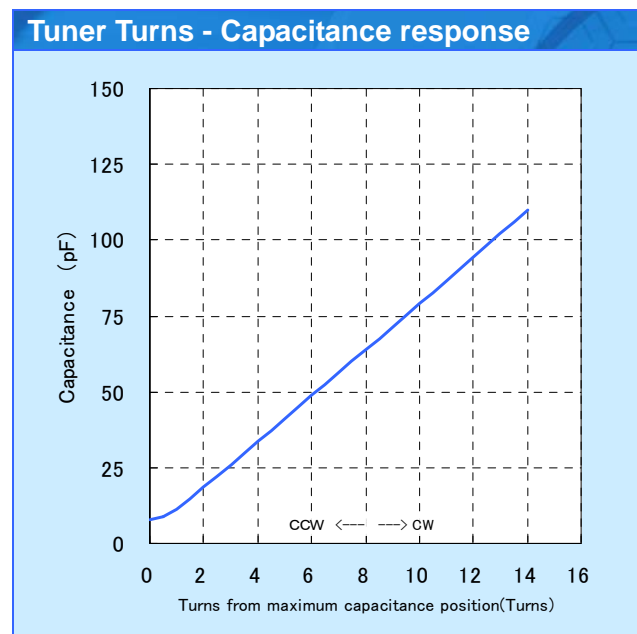
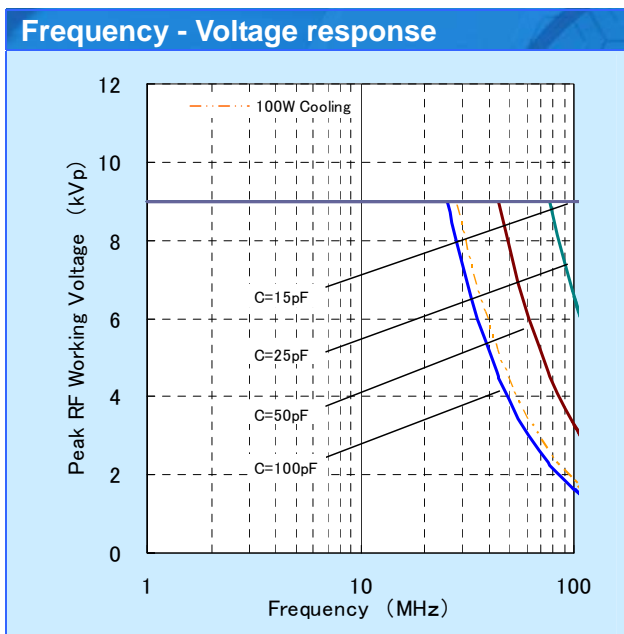
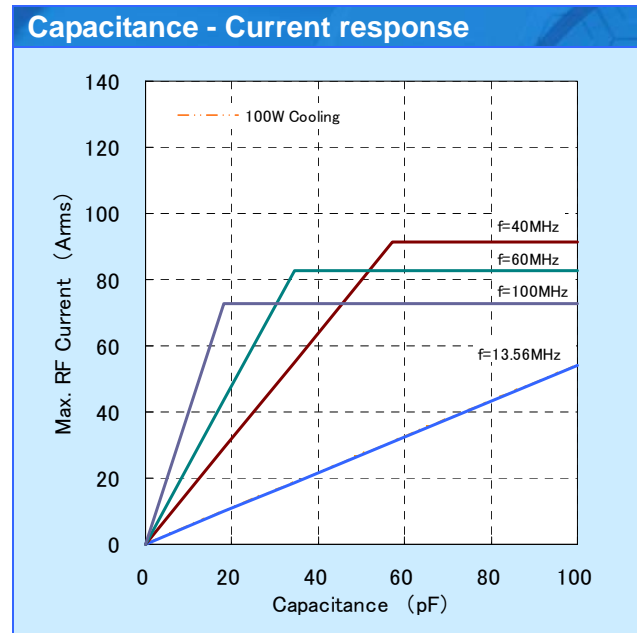
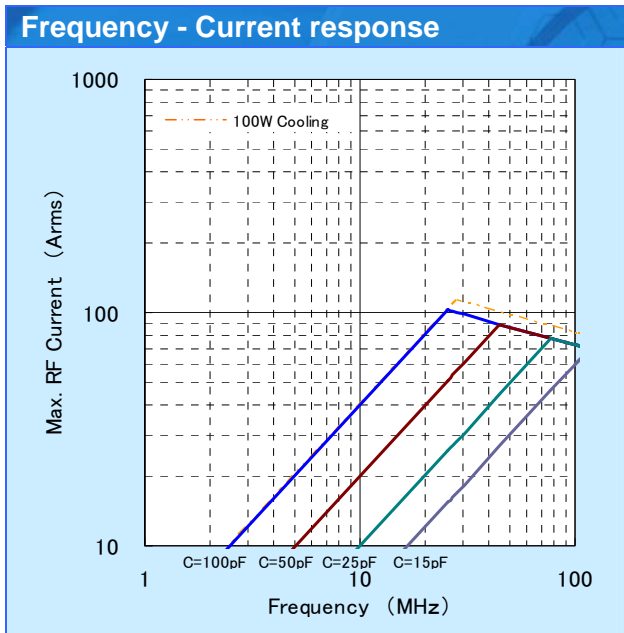


details of part A (2:1)



SCV-151H65

Variable Type Vacuum Capacitor (VH65 Type)



Notice:

- Current collecting system: Capacitor both-end full-face collection.
- Cooling System: Convection.
- Permissible surface temperature: 125°C.
(The surface temperature changes with current collecting conditions and ambient temperature.)
- Ambient temperature: 25°C.